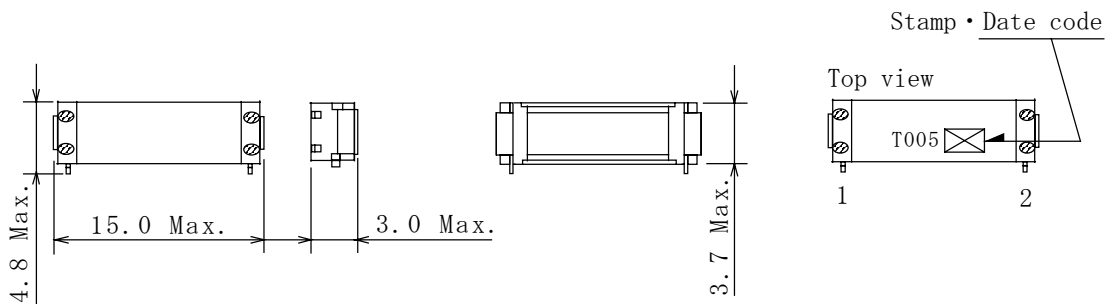
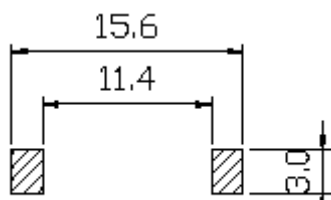
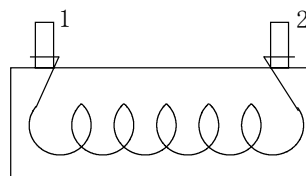


Type: CAS14D26
◆ Product Description

- 15.0×4.8mm Max.(L×W),3.0mm Max. Height.
- Operating temperature: -40°C~+85°C.


◆ Feature

- LF transponder receiver antenna.
- Ideally used in keyless smart entry system.
- RoHS Compliance.

◆ Dimensions (mm)

◆ Land Pattern (mm)

◆ Schematics(Bottom)


“S” is winding start.

◆ Specification

| | (2 - 1) | Measuring conditions |
|------------|------------------|----------------------|
| Inductance | 2.38mH±5% Within | 125kHz,1V |
| Unloaded Q | MIN. 30 | 125kHz,1V |
| D.C.R. | 27Ω (Ref.) | at 25°C |